



EARTH LEAKAGE RELAY

ECT 35D

APPLICATIONS

Control & Relay Panel

Original Equipment Manufactures (OEMs)

Energy Management System

DG Set Panels

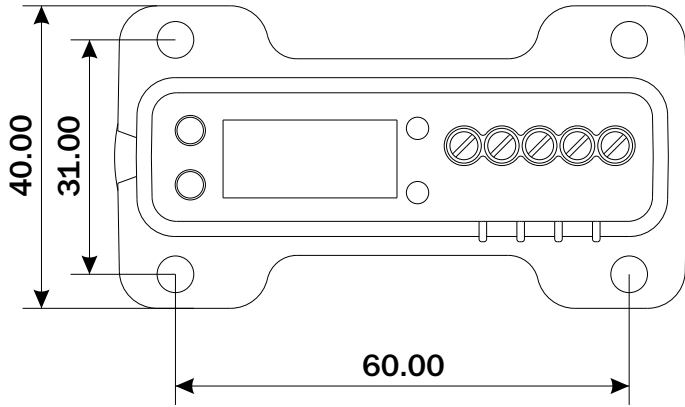
LT / HT Panel

Power Control Center Panels

Motor Control Center Panels

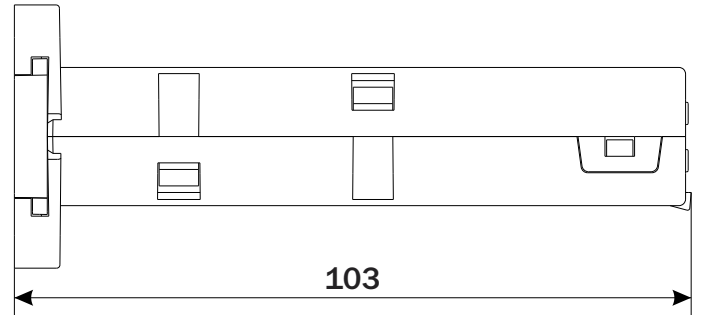
Mechanical Dimensions

Body Dimensions



FRONT VIEW

All dimensions are in mm

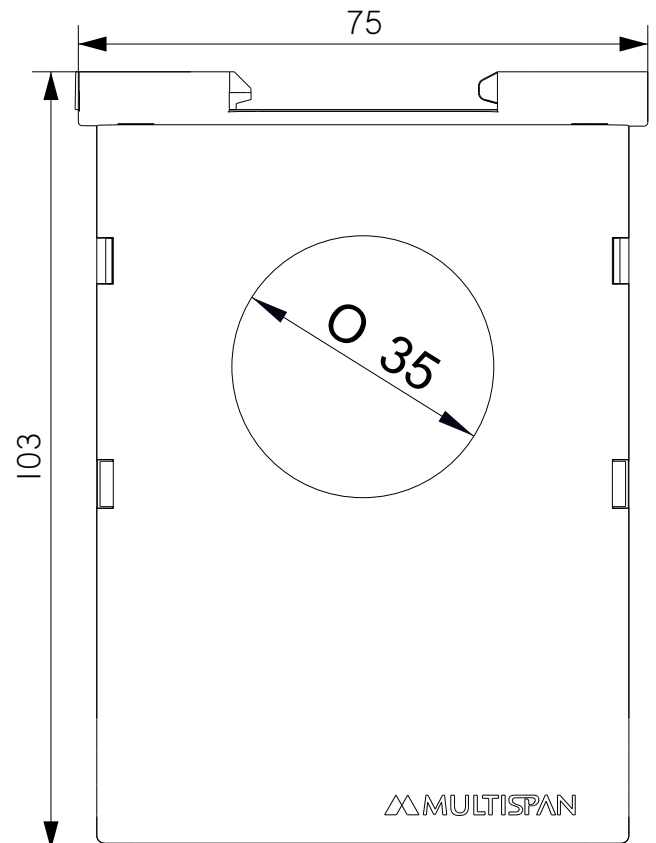


RIGHT SIDE VIEW


Connection Diagram



Inner CBCT Diameter



TECHNICAL DATA

Input	Current	30mA to 3Amp AC In CBCT
Range		30mA to 3Amp
Output		1 Relay , 1 C/O (NO-C-NC)
Power Supply		100 to 250V AC,50/60Hz
Accuracy		Class 1.0
Resolution		If Current in mA = 1 mA If Current in Amp = 0.01A
Certification		

Features

- Earth Leakage Current Monitoring In 1Ø - 2W, 3Ø-3W And 3Ø-4W System
- Test Mode Available.
- Auto/Manual Tripping Reset Facility.
- Test/Trip Reset Via Front Key

Environmental Characteristics

Working Temperature	0 to 55 °C
Storage Temperature	0 to 70 °C
Relative Humidity	95% RH Non-condensing
Ingress Protection	IP 65 (Front Side)

Trip Setting

Leakage Current	30mA to 3Amp
Delay Time	0 to 9.99 Sec

Mechanical Characteristics

Mounting Type	Din Rail Mount
Dimension (HxWxD) mm	76 x 40 x 103
Material	Polycarbonate (PC)
Terminal Screw Size	M3
Screw Torque (N.m)	1
Wire Gauge (AWG)	28-12
Weight (Approx) gms	Unpacked : 126 Packed : 144

Display, Led & Keys

Display	3 Digit 7 seg 0.28" Red LED Display
Key	TST, RST
LED Indication	Relay, Amp